

For reference only. See data sheet for the detailed specifications.

Technical Specification

Frequency Range(GHz)	18.0 – 40.0
Gain(dBi)	15 Typ.
Polarization	Dual Linear
3dB Beamwidth(deg)	E Plane: 44 - 26
	H Plane: 53 - 20
Cross Pol. Isolation(dB)	30 Typ. ; 20 Min.
Port to Port Isolation(dB)	30 Typ. ; 20 Min.
VSWR	2.0:1 Typ.
	3.0:1 Max.
Connector	2.92mm-Female or 2.4mm-Female
Power Handling(W CW)	2.92mm-Female: 10 Max.
	2.4mm-Female: 10 Max.
Material	Cu
Finish	Gold Plated, Gray Paint
Size(mm)	34.9 x 34.9 x 61.5
Net Weight(Kg)	0.25 Around



PATENT ID (US)

US D869447S

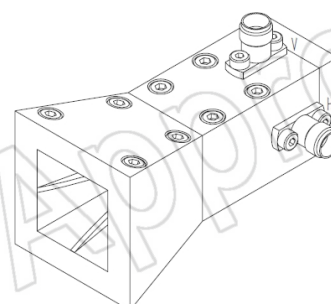
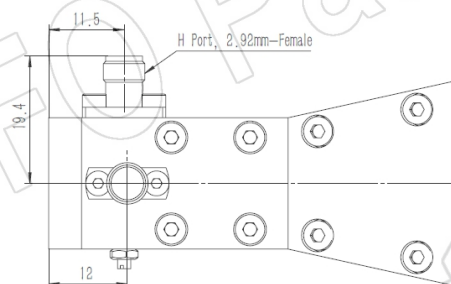
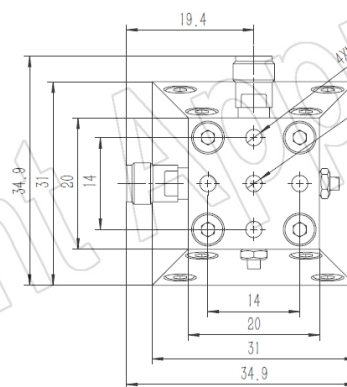
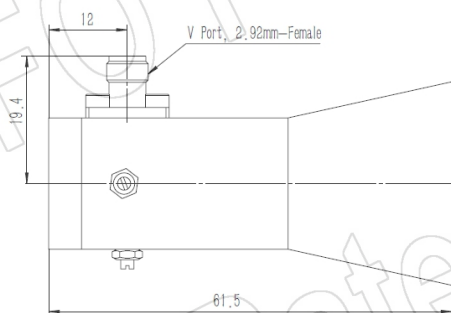
PATENT ID (China)

ZL202110177544.5, ZL202120347847.2, ZL201630454752.5

Outline Drawing (Size: mm)

2.92mm-Female Output (P/N: LB-SJ-180400-KF)

For 2.4mm-Female output outline drawing, please contact A-INFO.



AINFO Inc.

China(Beijing):
China(Chengdu):
USA :

Tel: (+86) 10-6266-7326,
Tel: (+86) 28-8519-2786,
Tel: (+1) 949-639-9688,

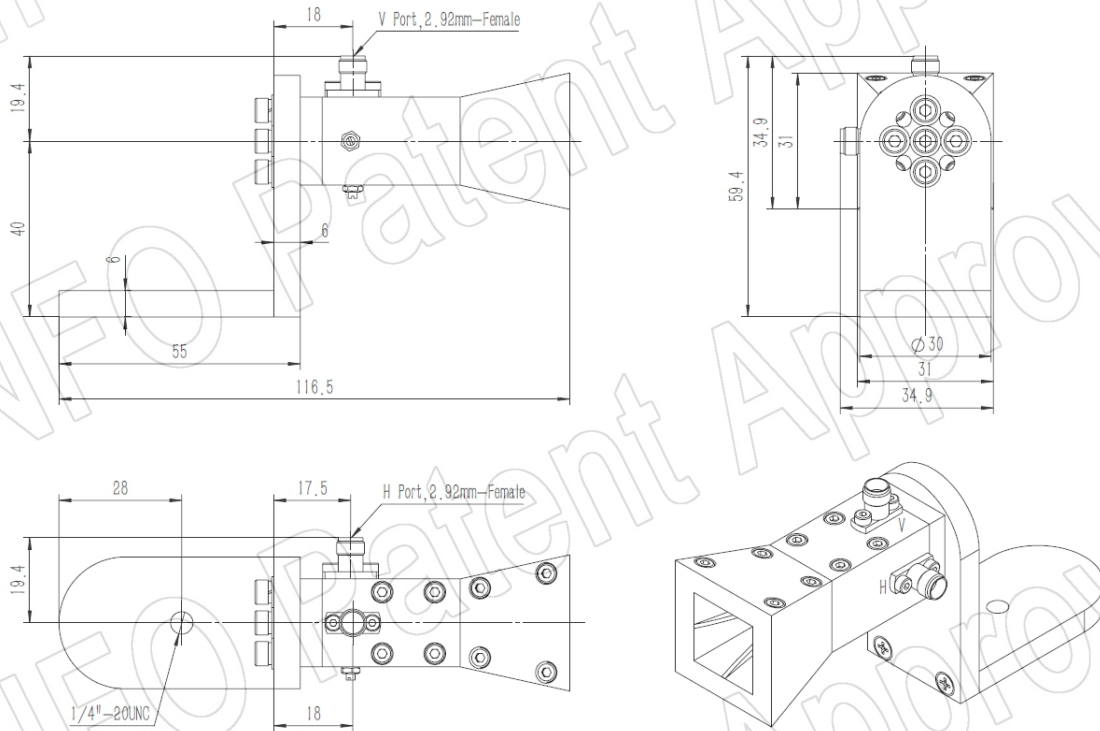
(+86) 10-6266-7327
(+86) 28-8519-3044
(+1) 949-639-9608

Fax: (+86) 10-6266-7379
Fax: (+86) 28-8519-3068
Fax: (+1) 949-639-9670

Website: www.ainfoinc.com
Email: sales@ainfoinc.com

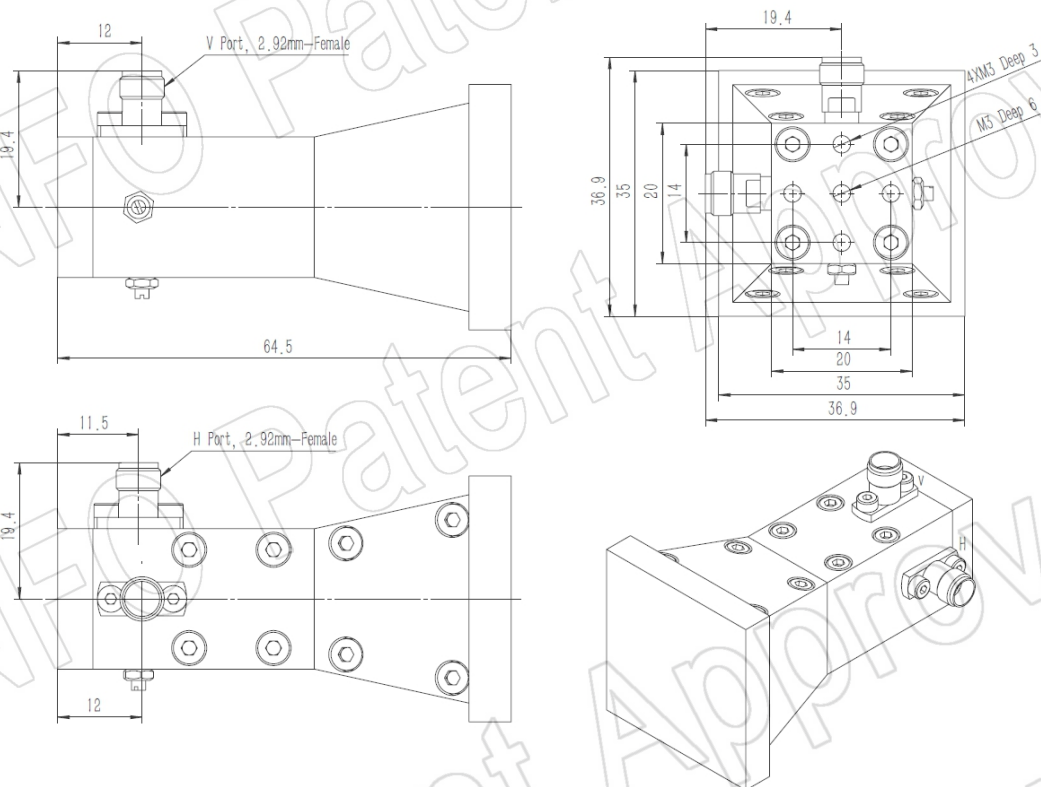
2.92mm-Female Output with L Type Mounting Bracket (Option, P/N: LB-SJ-180400-L)

For 2.4mm-Female output outline drawing, please contact A-INFO.



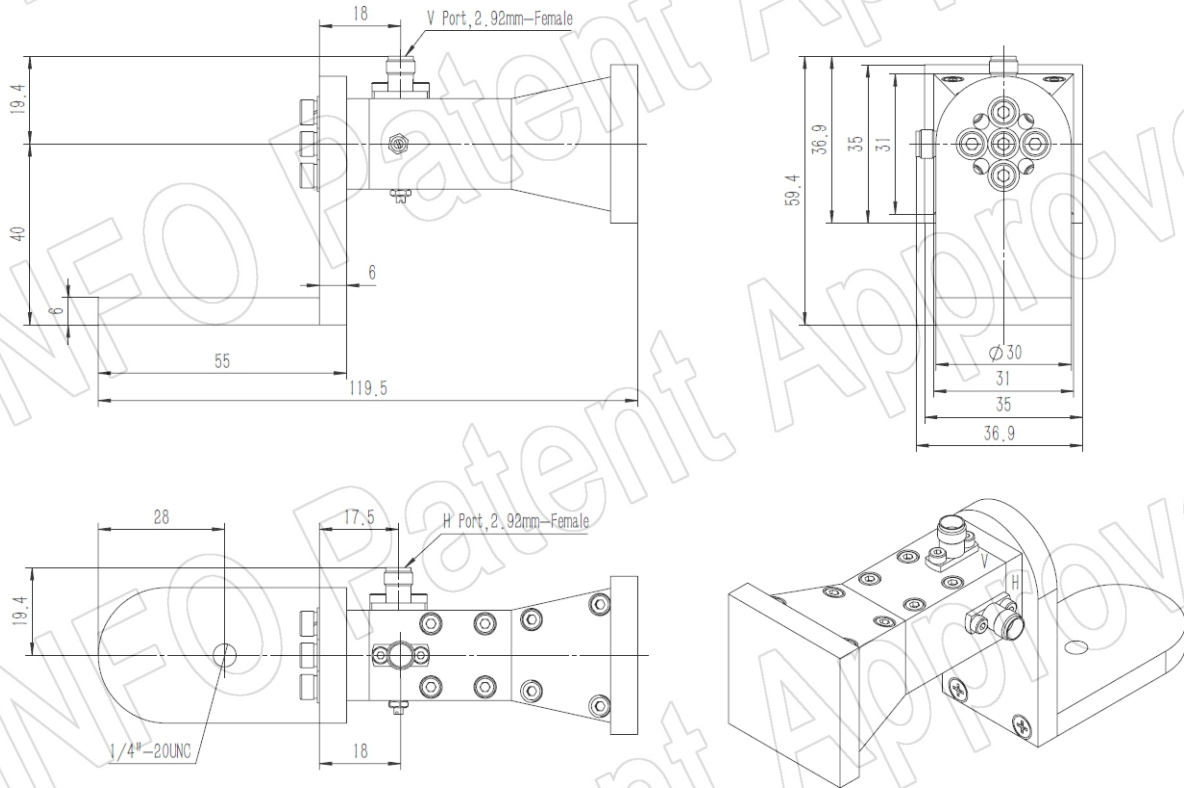
2.92mm-Female Output with Radome (Option, P/N: LB-SJ-180400-KFSP0, Application Outdoor)

For 2.4mm-Female output outline drawing, please contact A-INFO.



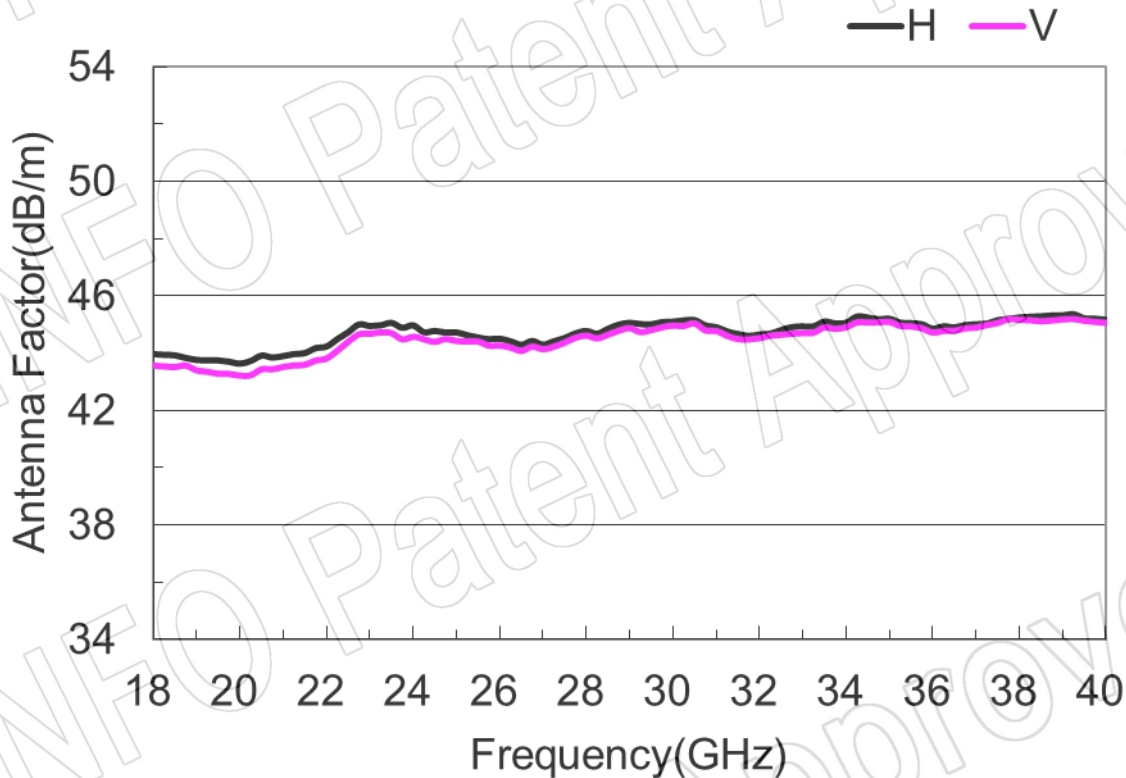
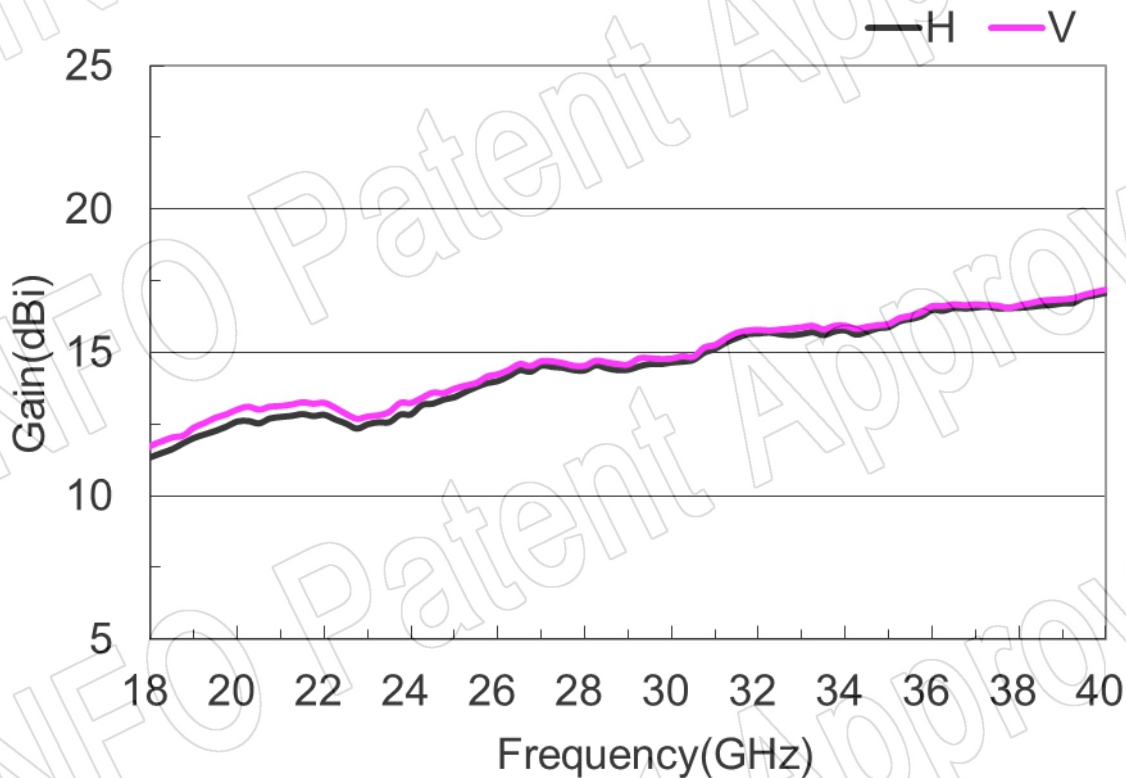
2.92mm Female Output with L Type Mounting Bracket & Radome (Option, P/N: LB-SJ-180400-L & LB-SJ-180400-KFSPO, Application Outdoor)

For 2.4mm-Female output outline drawing, please contact A-INFO.

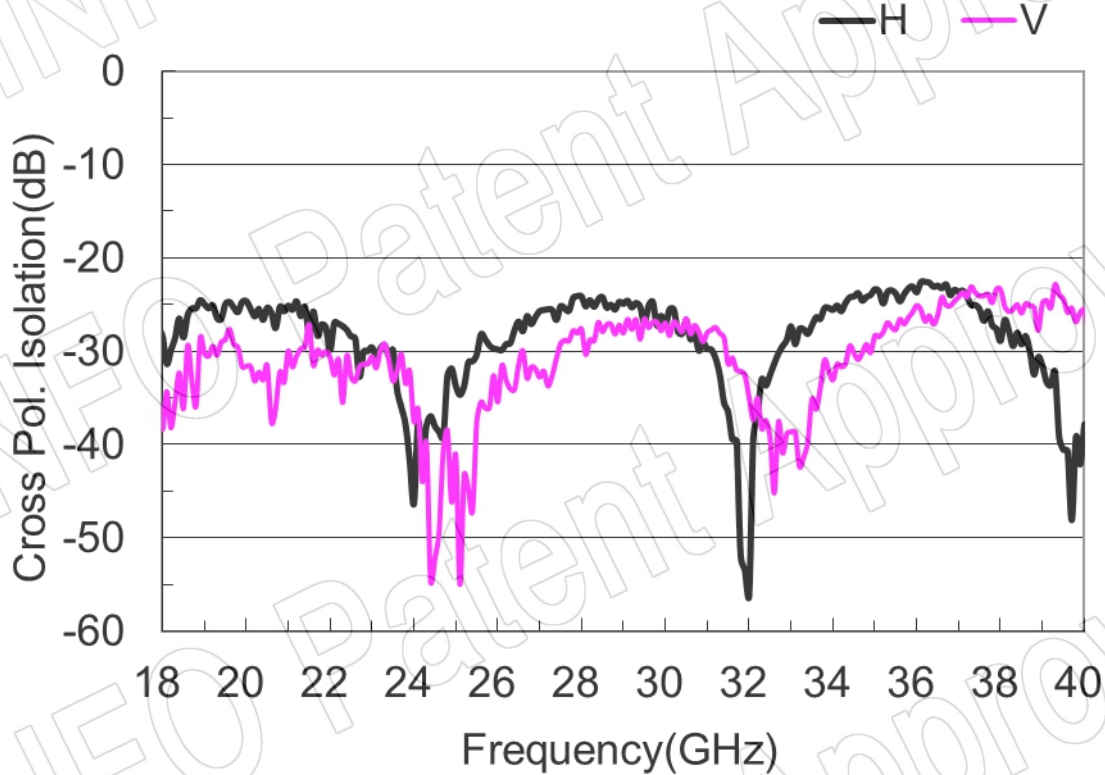


Test Results

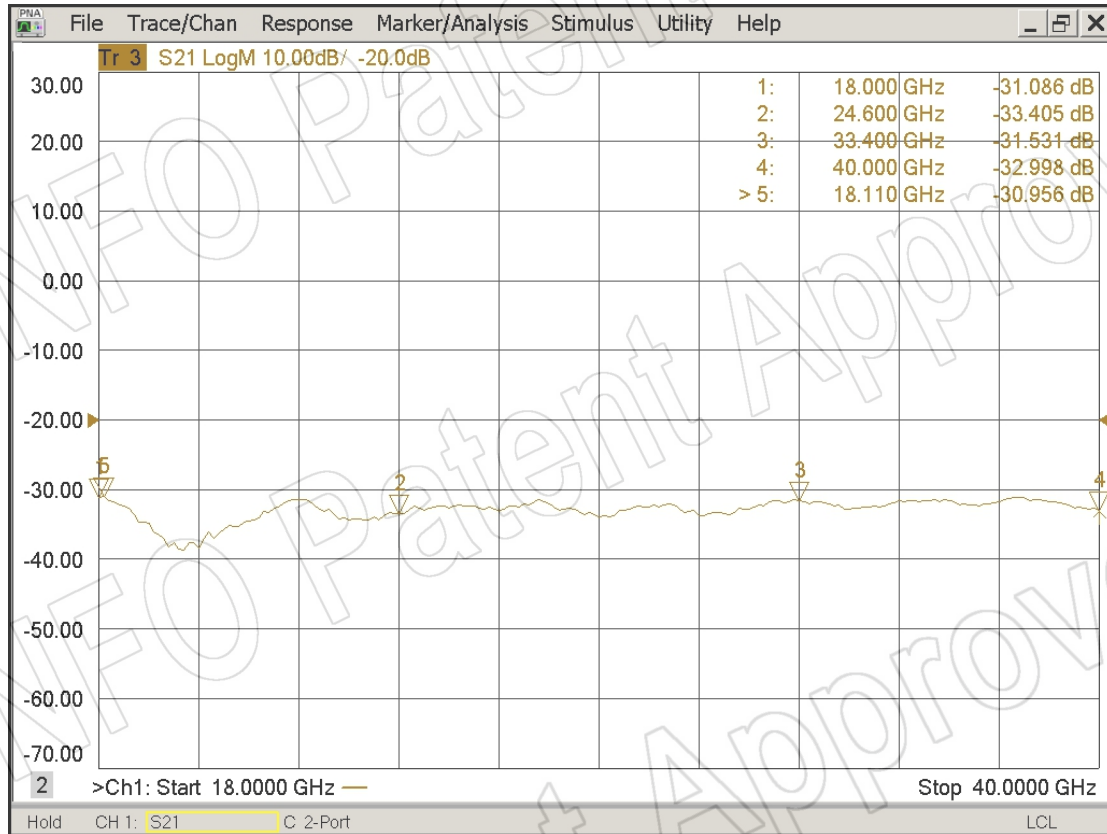
1. Gain & Antenna Factor



2. Cross Polarization Isolation

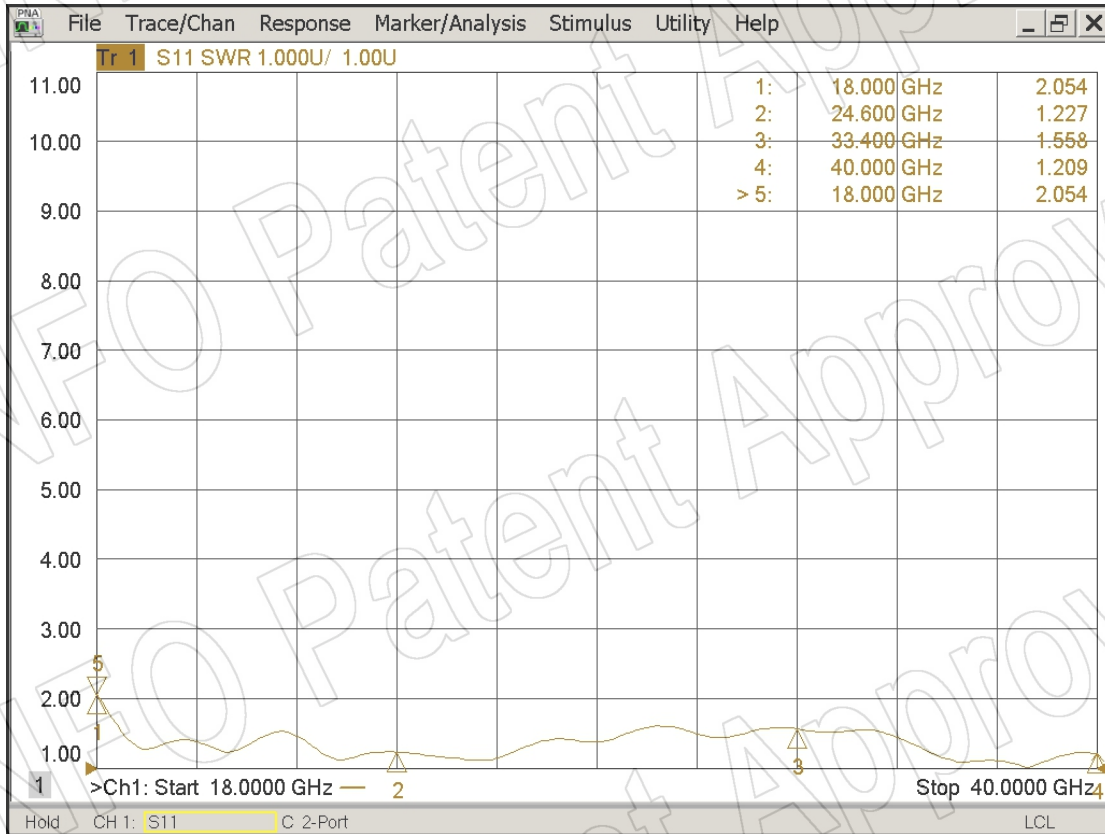


3. Port to Port Isolation

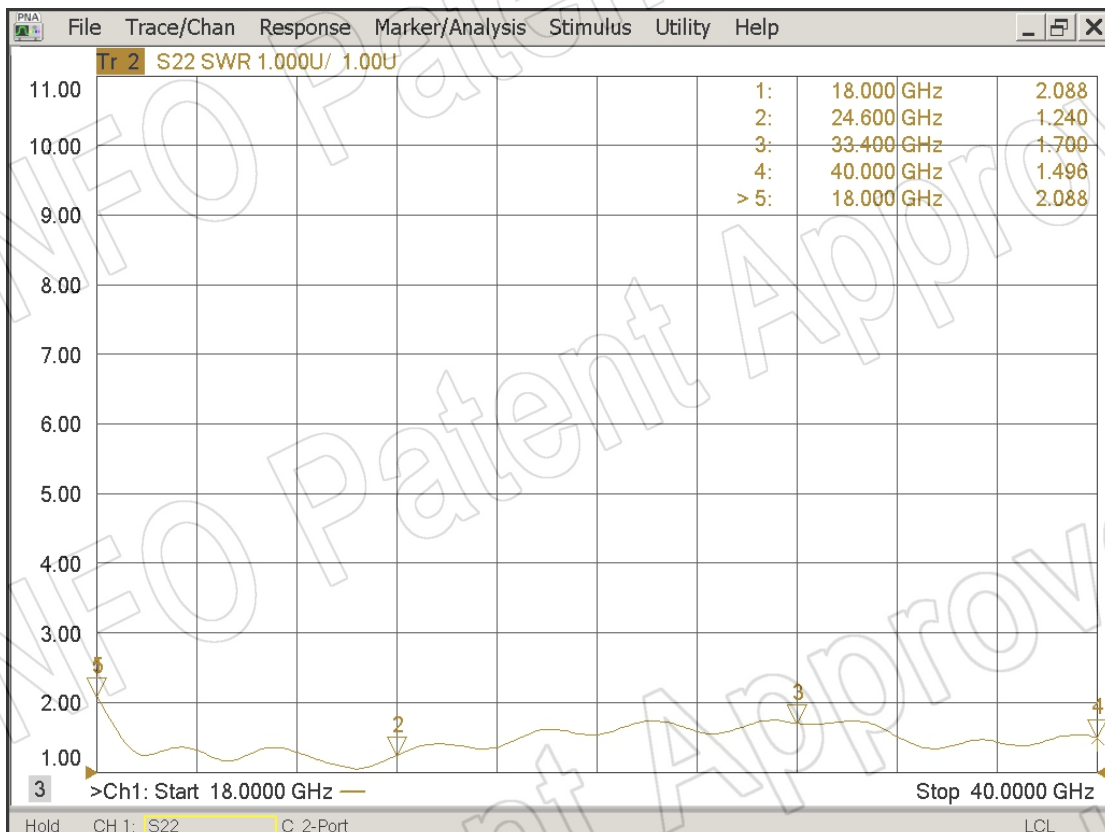


4. VSWR

Port-H



Port-V



5. Pattern

